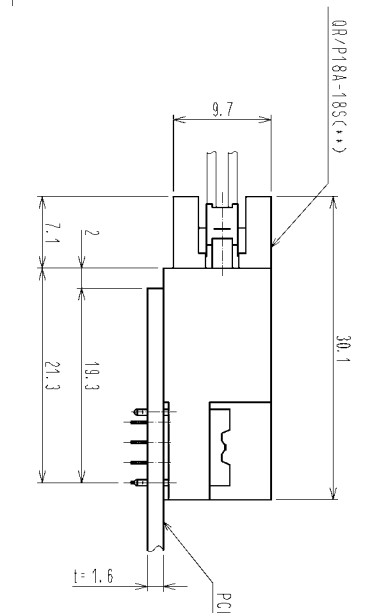
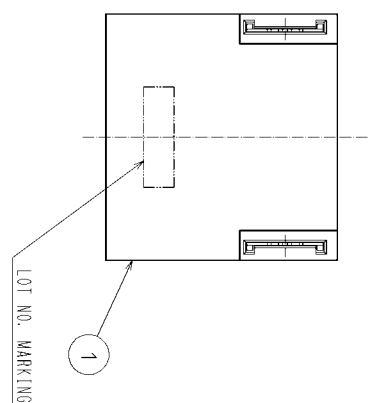
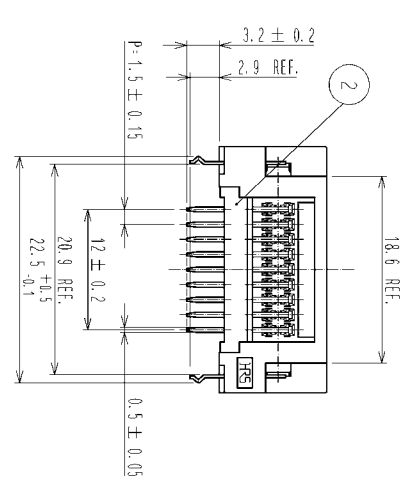
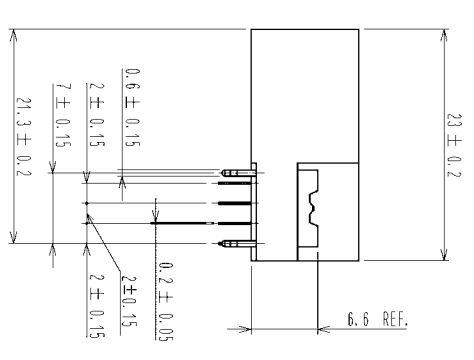
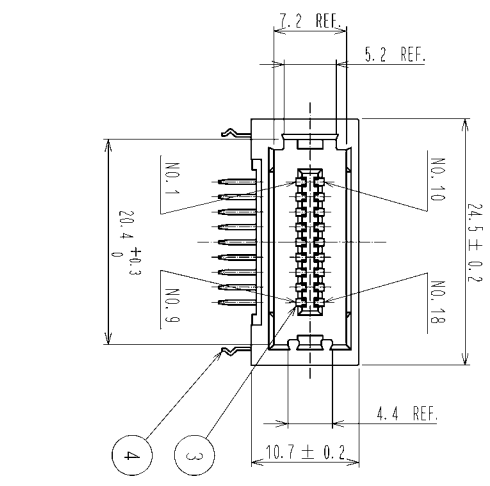
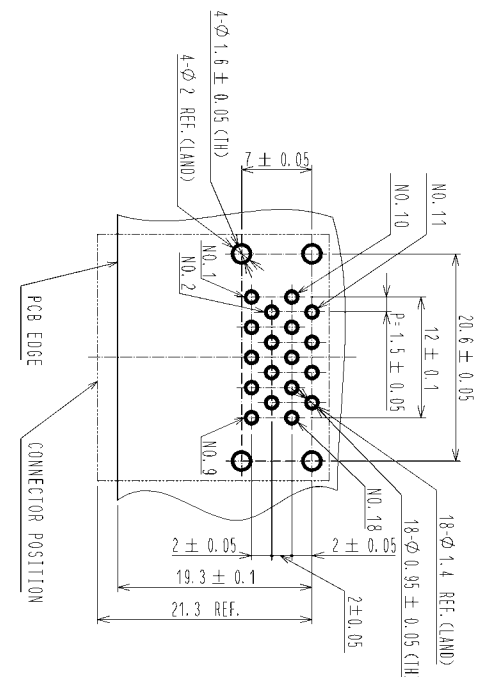


MATED PLUG (REFERENCE)



PCB PATTERN (REFERENCE)
MOUNTING SIDE (=1-6)



2	PBT	UL94V-0(BLACK)				4	COPPER ALLOY	OVER : TIN PLATED 2μm min UNDER : NICKEL PLATED 1μm min
1	PBT	UL94V-0(BLACK)				3	COPPER ALLOY	CONTACT : GOLD PLATED 0.2μm min LEAD : GOLD PLATED 0.03μm min UNDER : NICKEL PLATED 1μm min
UNITS		SCALE		DESCRIPTION OF REVISIONS		DESIGNED		CHECKED
mm		2 : 1						DATE
MATERIAL		FINISH		REMARKS		MATERIAL		FINISH
APPROVED : YIL ENAMI		08.04.04		DSAWING		EDC3-125533-01		
CHECKED : HO MIWA		08.04.04		PART		QR/P18A-18P-DSA1		
DESIGNED : KI NAGANUMA		08.04.03		NO.				
DRAWN : KI NAGANUMA		08.04.03		NO.				